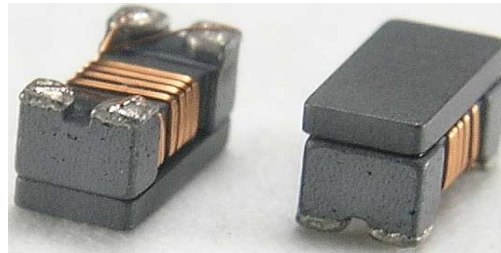


CMF3216F Series

Common Mode SMD Filter for Signal Line

FEATURES

- This common mode filter is characterized by its small sized
- Highly effective in noise suppression. High common-mode impedance at noise band and low differential-mode impedance at signal band.
- Due to the low differential-mode impedance with high coupling factor, there is almost no distortion on high speed signal.
- This series is micro-produced by auto machines for its huge productivity and accuracy with all-day CCD inspection.



APPLICATIONS

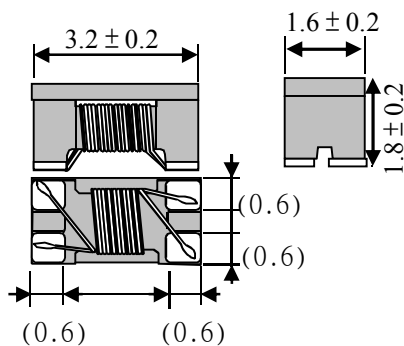
- Used for noise suppression in any electronic devices such as personal computer and peripheral equipment (USB), amusement equipment (IEEE LCD panels (LVDS) etc.

PRODUCT IDENTIFICATION

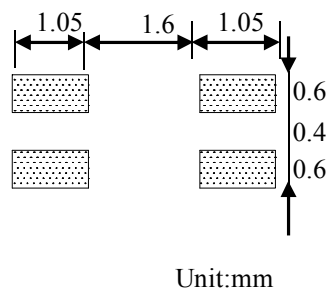
CMF 3216 F - 900 - 2P - T

- (1) (2) (3) (4) (5) (6)
- (1) Product name
 (2) Shapes and Dimensions
 (3) Shielding type
 (4) Impedance[at 100MHz] 900:90Ω
 (5) Number of line 2P:2-Line
 (6) Taping style

SHAPES AND DIMENSIONS



RECOMMENDED FOOTPRINT



ELECTRICAL CHARACTERISTICS

Our Product Part Number	Common-Mode Impedance Z(Ω) at 100MHz	DC Resistance Rdc(Ω)	Rated Current Idc(mA)	Rated Voltage Vdc(V)	Withstanding Voltage Vdc(V)	Insulation Resistance (MΩ)Min.
CMF3216F-750-2P-T	75 ±25%	0.30	500	50	125	10
CMF3216F-900-2P-T	90 ±25%	0.30	500	50	125	10
CMF3216F-121-2P-T	120 ±25%	0.30	370	50	125	10
CMF3216F-161-2P-T	160 ±25%	0.40	340	50	125	10
CMF3216F-181-2P-T	180 ±25%	0.40	340	50	125	10
CMF3216F-261-2P-T	260 ±25%	0.50	310	50	125	10
CMF3216F-431-2P-T	430 ±25%	0.60	280	50	125	10
CMF3216F-601-2P-T	600 ±25%	0.80	260	50	125	10
CMF3216F-102-2P-T	1000 ±25%	1.00	230	50	125	10
CMF3216F-222-2P-T	2200 ±25%	1.20	200	50	125	10

CMF3216F Series

Common Mode SMD Filter for Signal Line

Characteristics(Impedance vs. Frequency)

